



INNOVATIVE PRODUCTS FOR THE LOADING DOCK INDUSTRY



PROUDLY  
MANUFACTURED  
IN THE USA

# GUIDE LIGHT

## DL's Advanced Guide Light System

**Enhance Dock Safety by installing the new DL Manufacturing Guide Light.** Lining up Tractor Trailers can be challenging, whether it's bad weather, a rush to get a trailer parked for an urgent load or just an inexperienced driver. The results of a misaligned trailer equates to a dock seal that will no longer seal properly, building or equipment damage from the truck missing the dock bumper, or improper leveler engagement. All of these problems can affect dock safety, product safety and dock productivity. With its unique design DL's Guide Light can be customized to your specific dock application. The LED color can be yellow, red or green and options are available to change the Guide Light into a complete dock communication system.

### Guide Light™ Features –

- **LED Technology** – No replacing bulbs and saves energy. Red, Green and Yellow Light Output.
- **Door Specific Light Signal** – The Guide Light is designed with high intensity LED's with a narrow slot to provide a door specific signal.
- **Safely guides truck in the specific dock position** – day, night and foul weather.



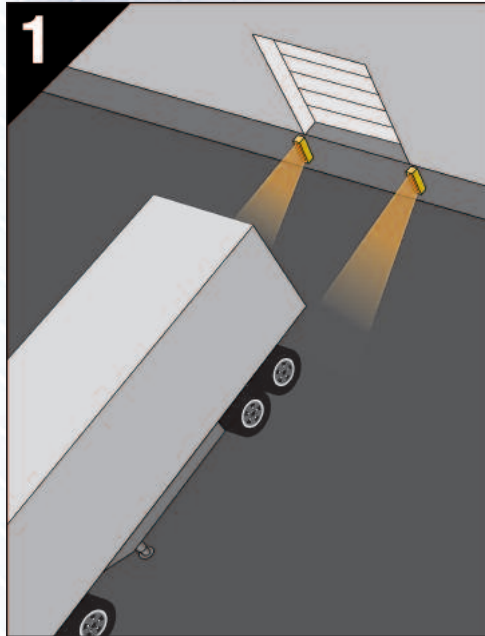
*Guide Light offers highly-visible multiple LED light color outputs in red, green and yellow.*



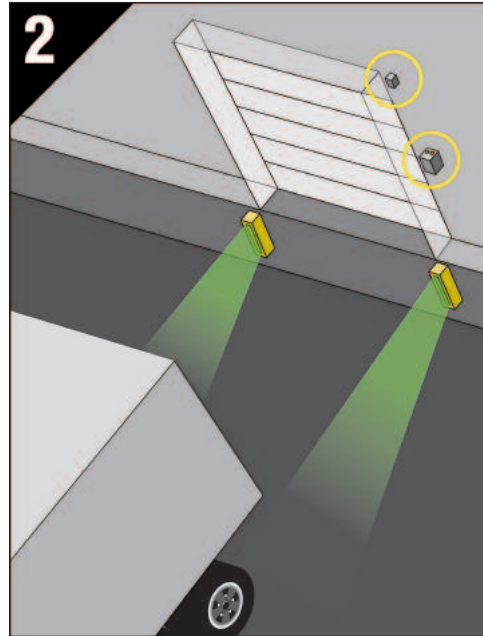


INNOVATIVE PRODUCTS FOR THE LOADING DOCK INDUSTRY

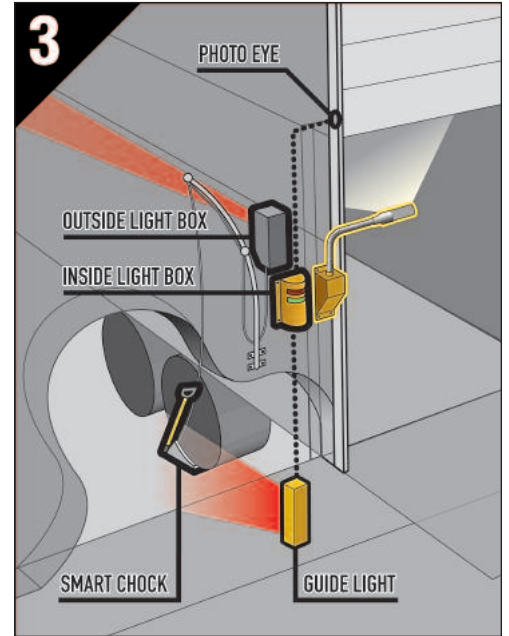
# Guide Light™ Configurations



**1 Standard Guide Light** – Constant yellow on – single inside power source



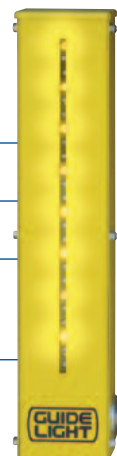
**2 Enhanced Safety Guide Light** – Inside power supply with indicator lights and door switch (wobble switch or photo-eye) activates red and green Safety Guide Lights



**3 Add on with DL Manufacturing Smart Chock™ or Safety Signal™** – Guide Light mirrors red and green signal lights of the outside communication box

## SPECIFICATIONS

<b>Outside Light Box</b>	4" x 20", Powder Coated CRS
<b>Inside Power Box</b>	4.5" x 7.5", Powder Coated CRS
<b>Multicolor LED's</b>	Green, Red and Yellow – Pending on Model
<b>Power Requirements</b>	100-277 VAC, 50/60 Hz, 1 ph (low voltage to Outside Light Box)
<b>Power Draw</b>	0.05 A



A Product of

**DL** Manufacturing  
340 Gateway Park Drive  
North Syracuse, NY 13212  
Phone: 315-463-7348  
Fax: 315-463-8559  
www.dlmanufacturing.com

**TOLL FREE 866-235-7468**



**PROUDLY MANUFACTURED  
IN THE USA**

092713

Visit [www.dlmanufacturing.com](http://www.dlmanufacturing.com) to view our complete line of loading dock products.